

## Surface Mount Circulators

Part Number: **KTSC-302S06**

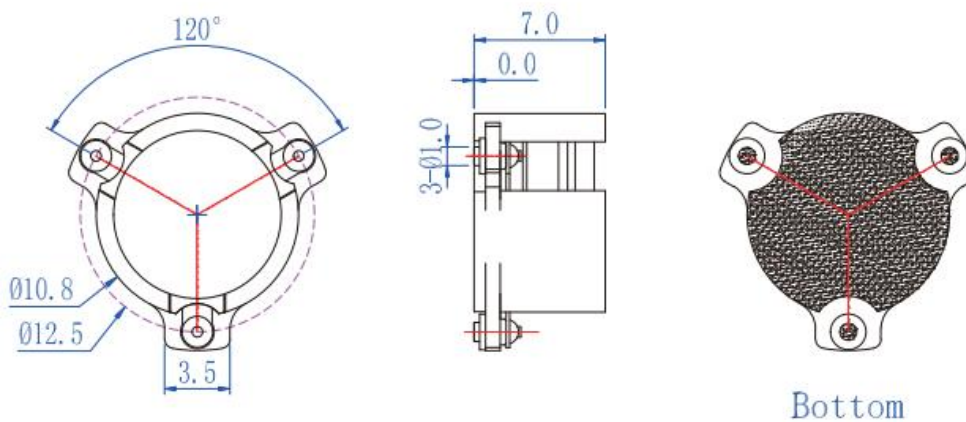
### Key Features

- Vibration Resistance, Shock Resistance
- Compact Structure, Small Size
- High Frequency Characteristic
- High Production Efficiency
- Operating Temperature Range : -40°C~+85°C
- Widely Used in All Kinds of Base Stations, Small Power Amplifier etc.

### Electrical Specifications at Room (25°C±5°C) Temperature

Part Number	Freq. Range (GHz)	Bandwidth Max. (MHz)	Insertion Loss Max. (dB)	Isolation Min. (dB)	VSWR Max.	Forward Power (W)	Connector Type
KTSC-302S06	2.0 - 6.0	360	0.4	20	1.25	10	SMD

### Mechanical Dimensions (mm)



### HOW TO ORDER

